

LOCKING BOX SPECIFICATION FORM

DATE _____

COMPANY _____ CONTACT _____

PHONE # _____ FAX# _____ P.O. NUMBER _____

ILLUMINATED

5.75" DEEP
BACK-LIT LED

EDGE-LIT
1.875" DEEP

NON-ILLUMINATED

1.875" DEEP

BACKING:

CORK
STEEL
ALUMINUM

QUANTITY

DATE REQUIRED

UNIT PRICE

DEPOSIT AMOUNT

APPROX. SHIPPING COST

BLACK PAINTED CLEAR SATIN ANODIZED

OTHER INSTRUCTIONS: _____

LOCKING BOX OUTSIDE DIMENSIONS

HEIGHT _____ LENGTH _____

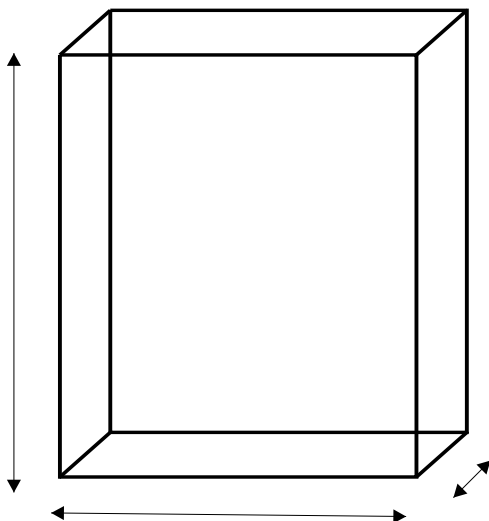
PLEASE INDICATE THE FOLLOWING ON THE DRAWING:

CORD LOCATION
(ILLUMINATED ONLY)

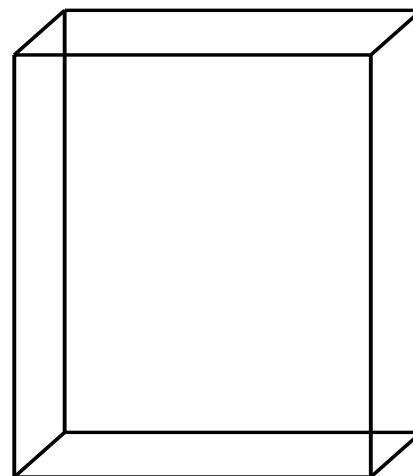
SWITCH LOCATION
(ILLUMINATED ONLY)

HINGED SIDE
LOCK(S)

Front View



Back View



Name of Purchaser

Signature of Purchaser